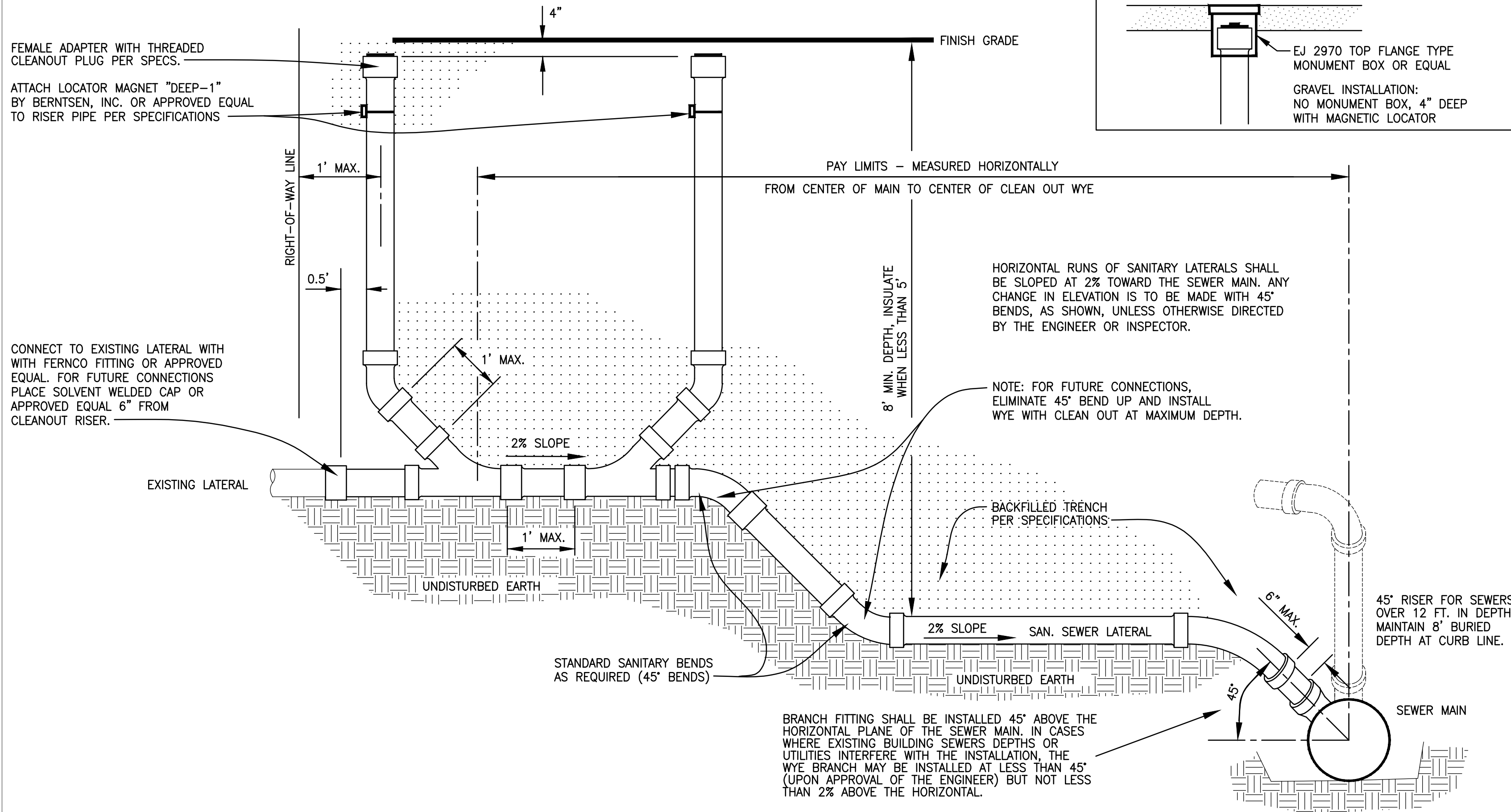
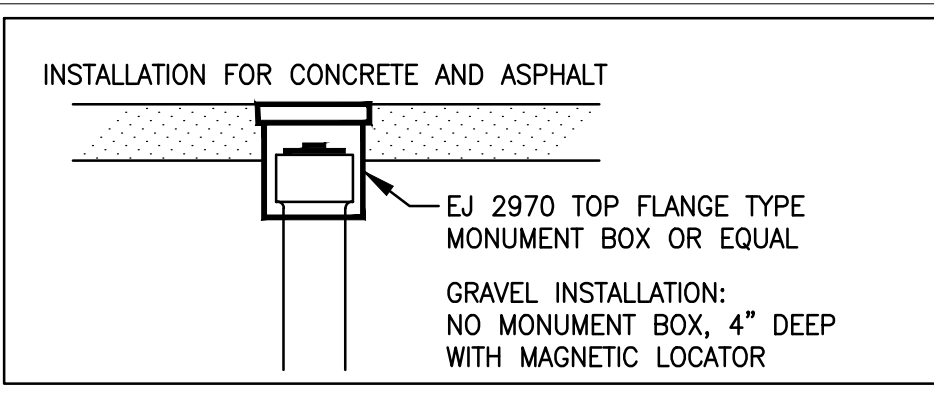
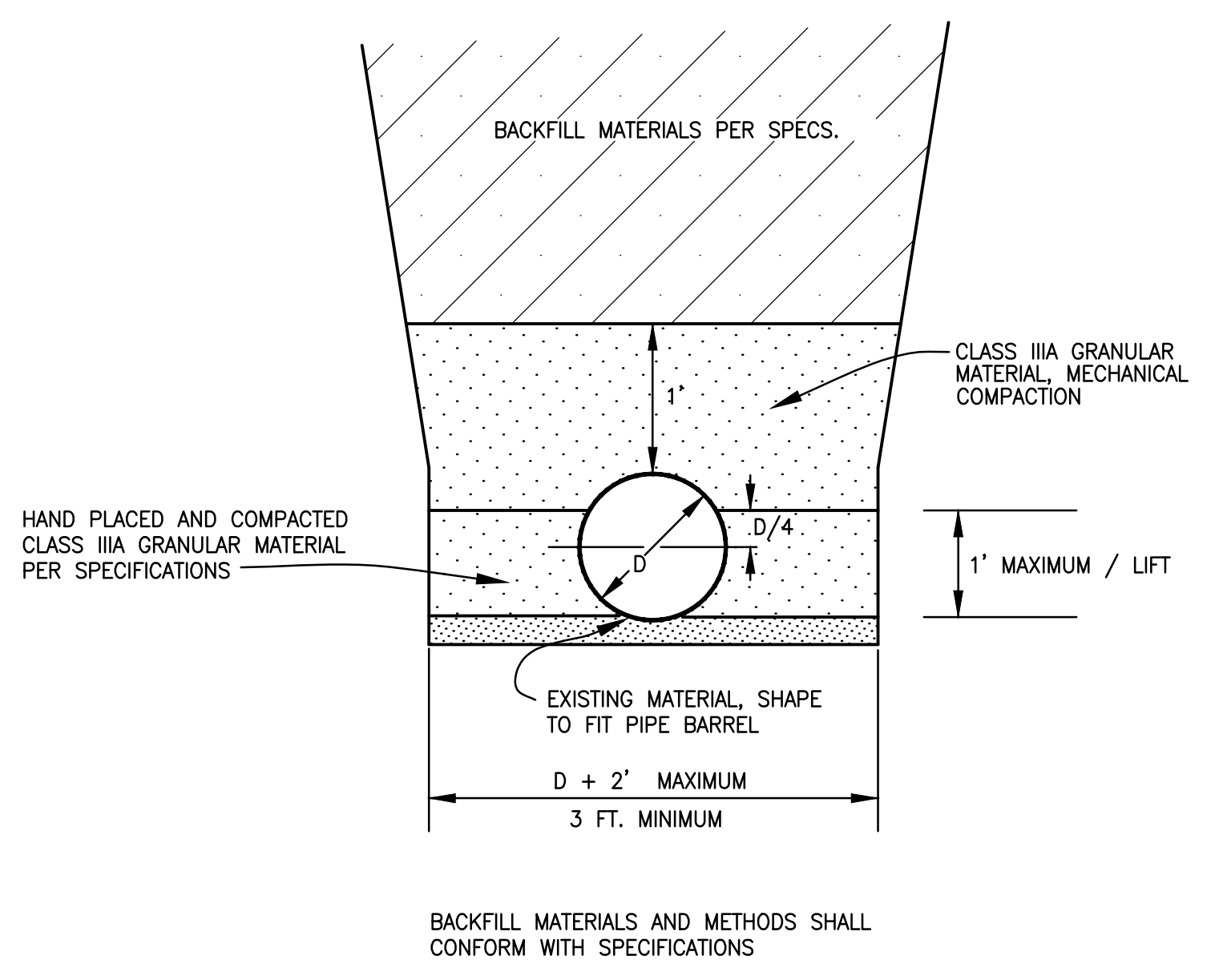


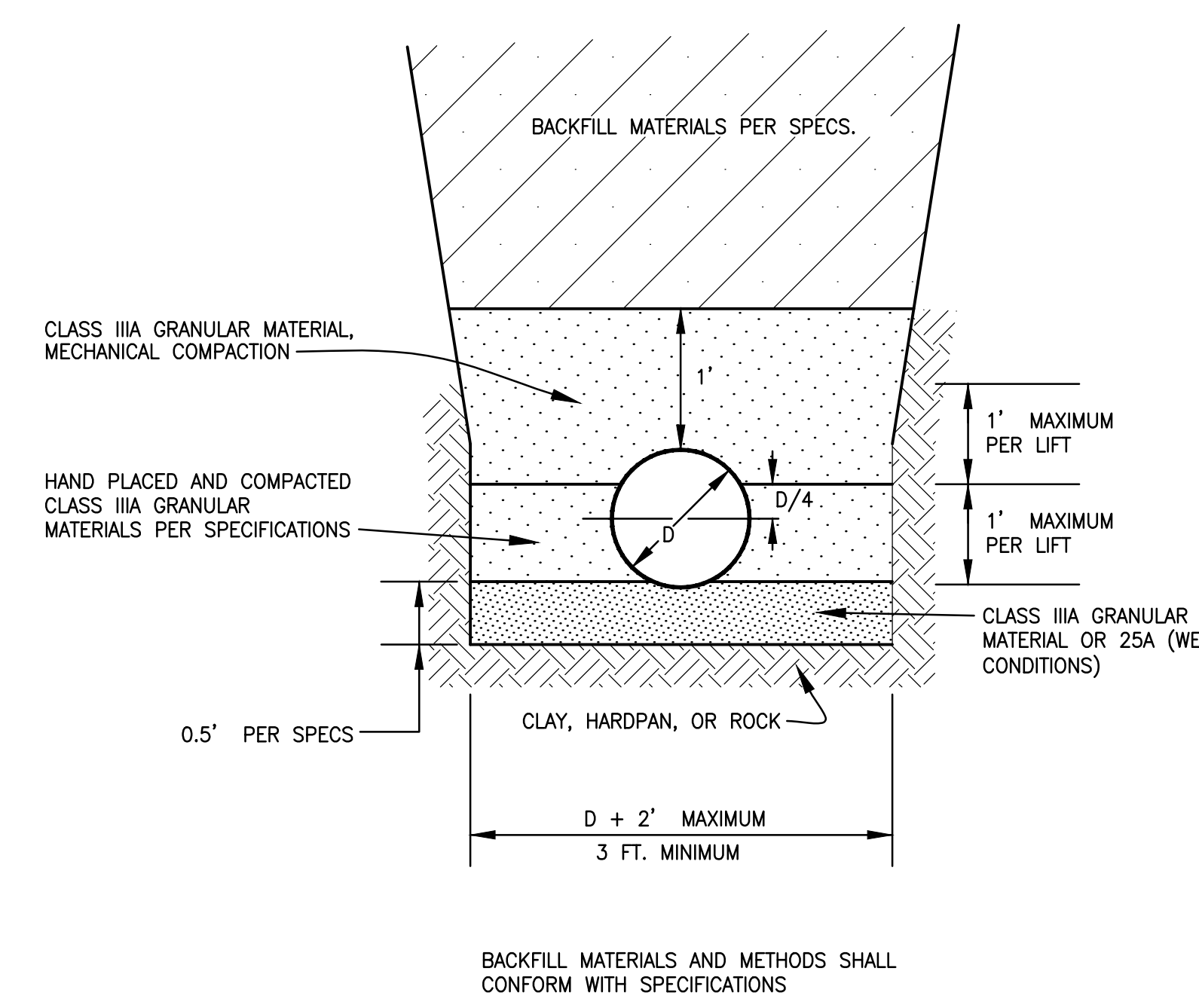
SANITARY SEWER LATERAL RISER DETAIL



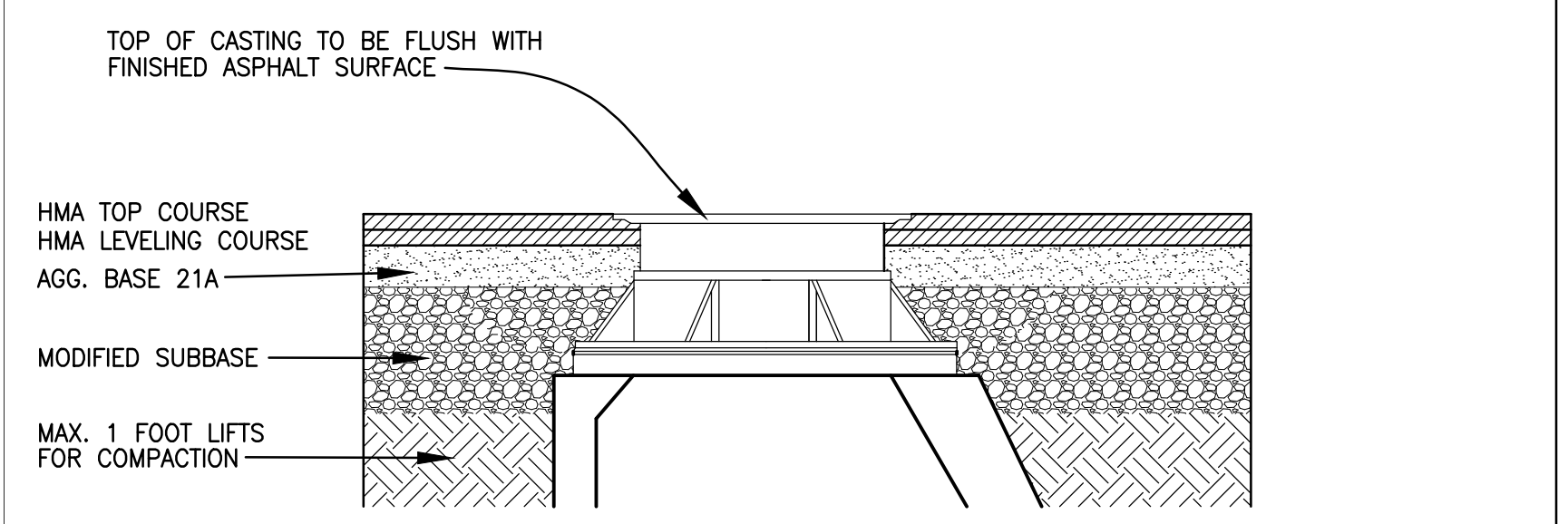
PIPE BEDDING DETAIL "G" IN SAND AND GRAVEL



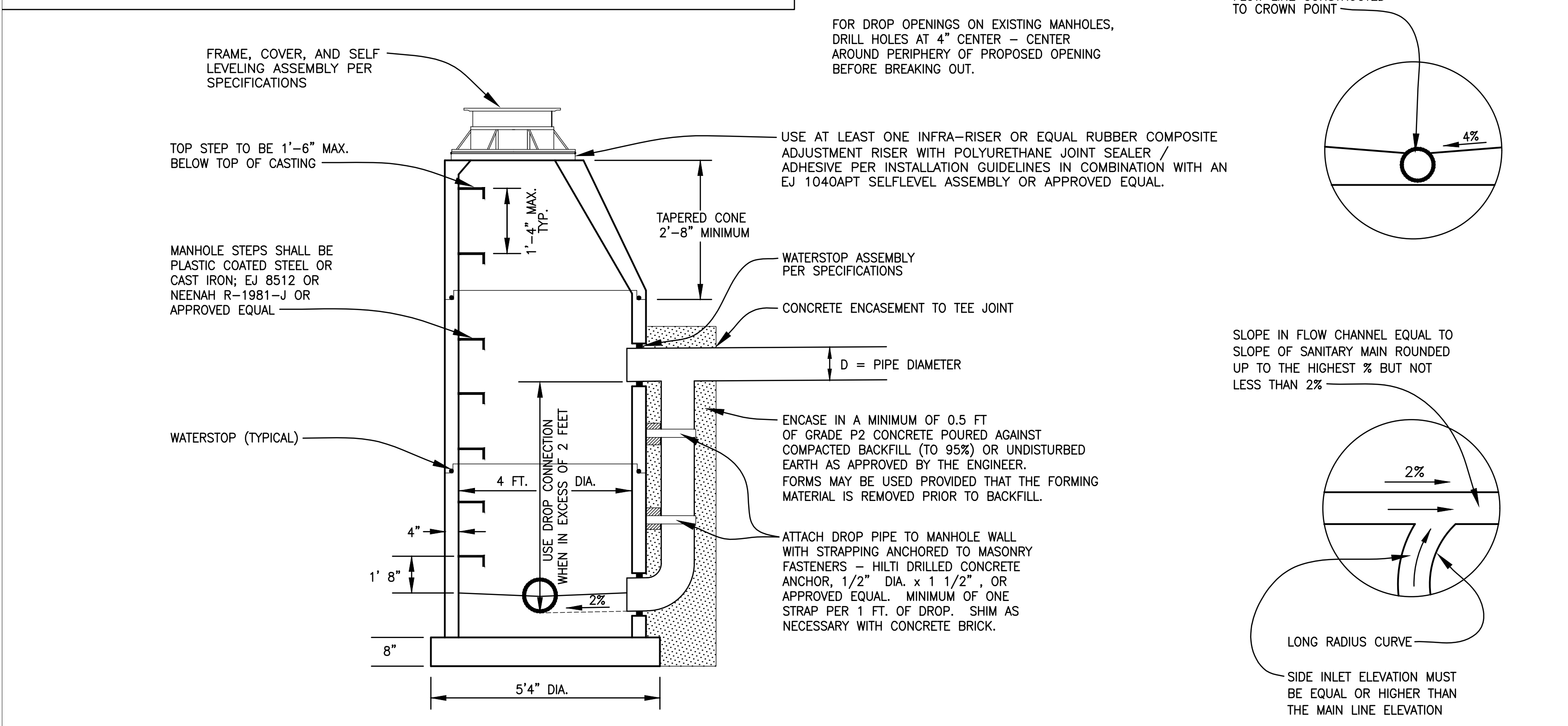
PIPE BEDDING DETAIL "G" IN CLAY, HARDPAN, AND ROCK OR WHERE NATURAL MATERIAL IS UNDERCUT DURING EXCAVATION



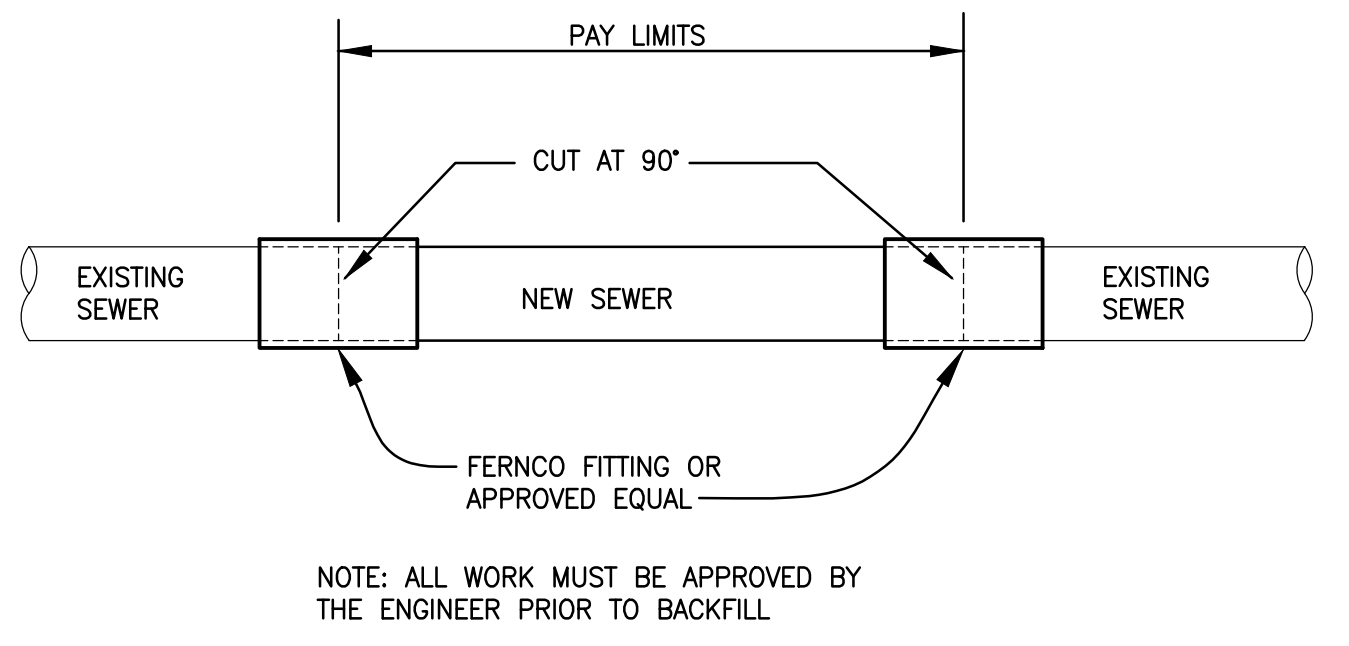
TYPICAL MANHOLE COVER INSTALLATION



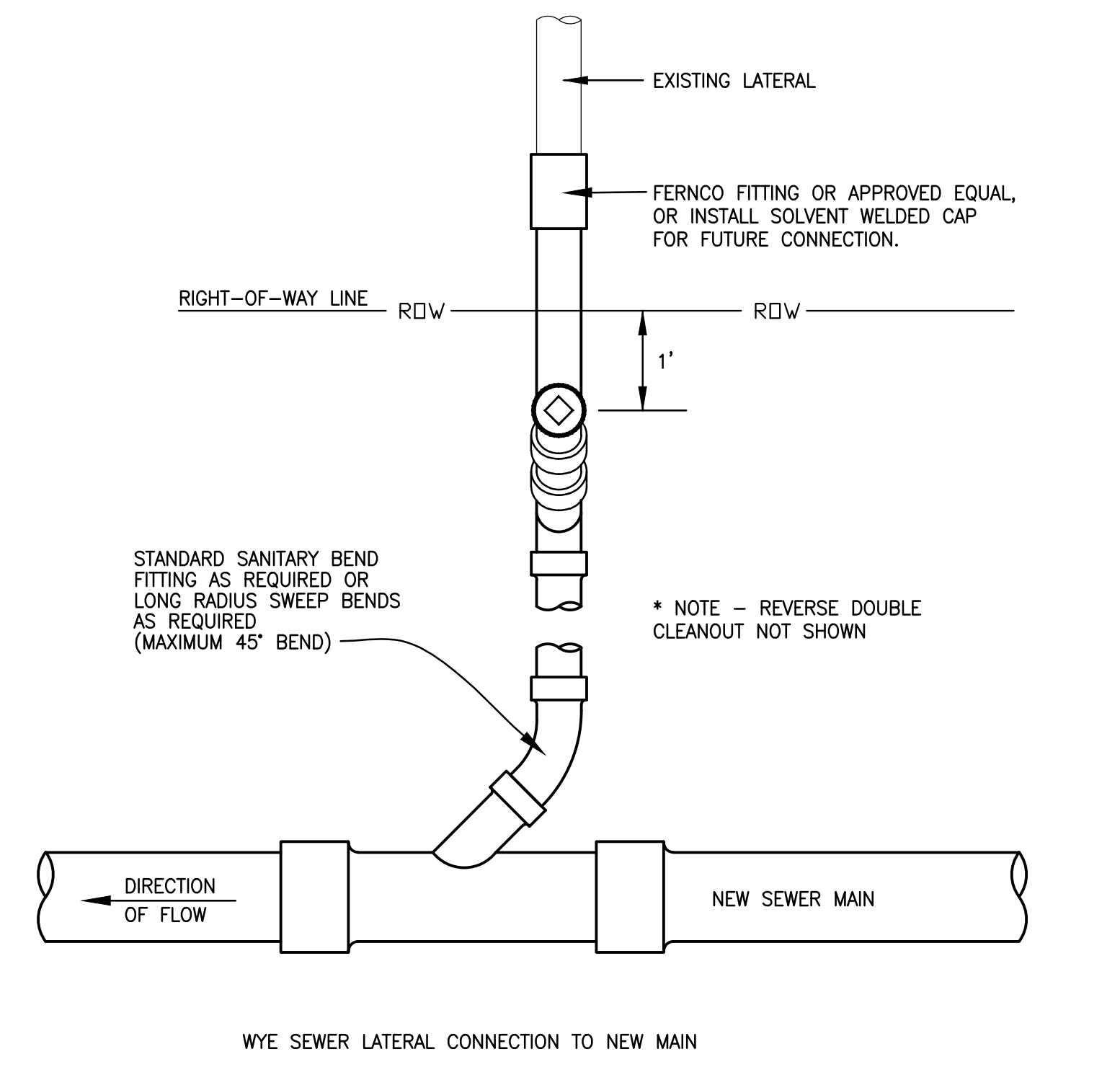
STANDARD CONCRETE DROP MANHOLE REFER TO M.D.O.T. STANDARD PLANS FOR OTHER CONFIGURATIONS



SANITARY SEWER LATERAL REPAIR DETAIL AND SANITARY SEWER POINT REPAIR



PLAN VIEW OF SANITARY SEWER LATERAL



Michigan's One-Call Utility Notification Organization
Three full days before you dig call the Miss Dig system 1-(800)-482-7171