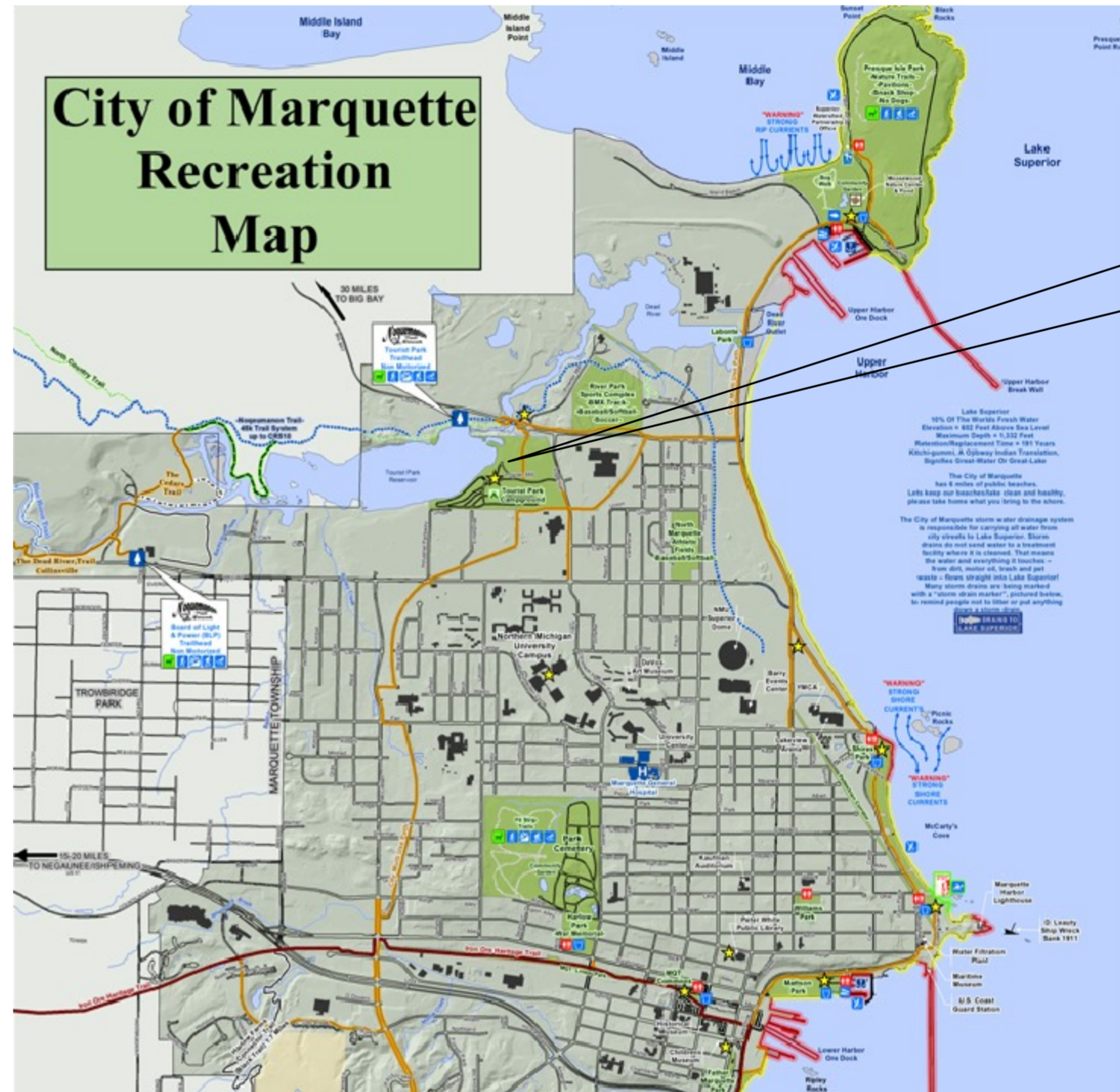


# Tourist Park Day Use Playground Re-Bid RP15 - 0023



PROJECT LOCATION  
"TOURIST PARK"



February 15, 2024

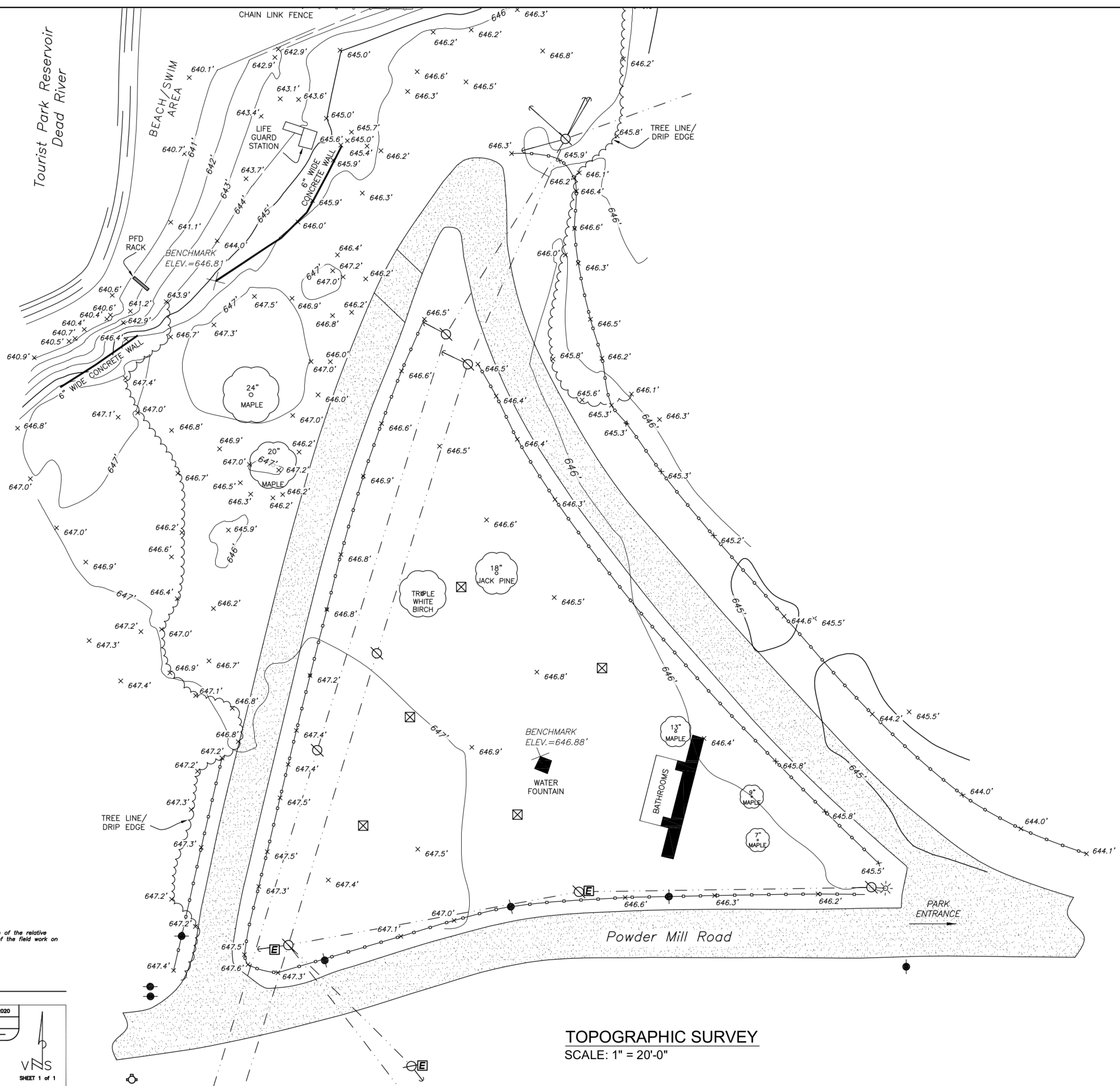
Index to the D drawings:	
sheet number	description
-	COVER SHEET / LOCATION MAP
1	TOPO SURVEY / SESC PLAN
2	SITE / GRADING PLAN
3	ENLARGED PLAYGROUND PLAN
4	LANDSCAPE / RESTORATION PLAN
5	DETAILS

**SANDERS & CZAPSKI ASSOCIATES, PLLC**  
 architecture / landscape architecture / historic preservation  
 109 South Front Street / Suite 210 / Marquette, Michigan  
 Phone: 906.273.1207 / Fax: 906.273.1208  
 www.Sanders-Czapski.com

TOURIST PARK  
 DAY USE PLAYGROUND  
 MARQUETTE, MARQUETTE COUNTY, MICHIGAN



RE-BID FEBRUARY 15, 2024  
 Re-bid Rev. Nov. 6, 2023  
 ISSUE/DATE  
 COVER SHEET



**CERTIFICATION:**  
 I hereby certify that this Survey Map is a true representation of the relative elevations and topographical features as found at the time of the field work on 28 July 2020.

**SIGNED:** Glenn C. Van Neste, Professional Surveyor # 27464  
 Travis W. Van Neste, Professional Surveyor # 46695

**DATE:** 28 JUL 2020

**JOB #** 220029/201067 **SCALE:** 1" = 40' **DATE:** 28 JUL 2020

**(R) RECORDED** **(M) MEASURED** **DRAWN BY:** TWV

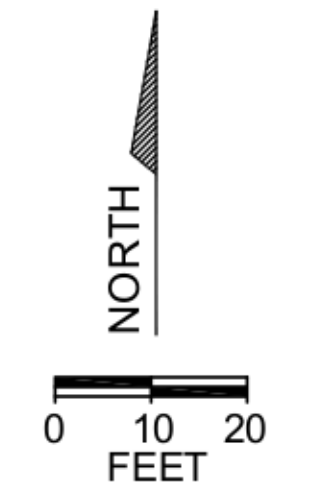
LINE NOT DRAWN TO SCALE

**VAN NESTE SURVEYING**  
 33 YEARS OF PROFESSIONAL SURVEYING SERVICES  
 1402 KIMBER AVENUE MARQUETTE, MICHIGAN 49855  
 PHONE (906) 226-6241  
 www.VanNesteSurveying.com

**VNS**  
 SHEET 1 of 1

**TOPOGRAPHIC SURVEY**  
 SCALE: 1" = 20'-0"

- ELEVATION DATUM:**  
 MARQUETTE BOARD OF  
 LIGHT AND POWER TOURIST  
 PARK HYDRO PROJECT
- LEGEND:**
- ☉ POWER POLE WITH GUY
  - ☼ STREET LIGHT
  - ☐ GRILL
  - SIGN
  - ⊞ ELECTRIC BOX
  - ⊞ HYDRANT
  - OVERHEAD POWER/ TELEPHONE
  - - - CHAIN LINK FENCE
  - - - WOOD POST BARRIER
  - TREE
  - CONTOUR LINE
  - CONCRETE SURFACE
  - ▨ ASPHALT SURFACE



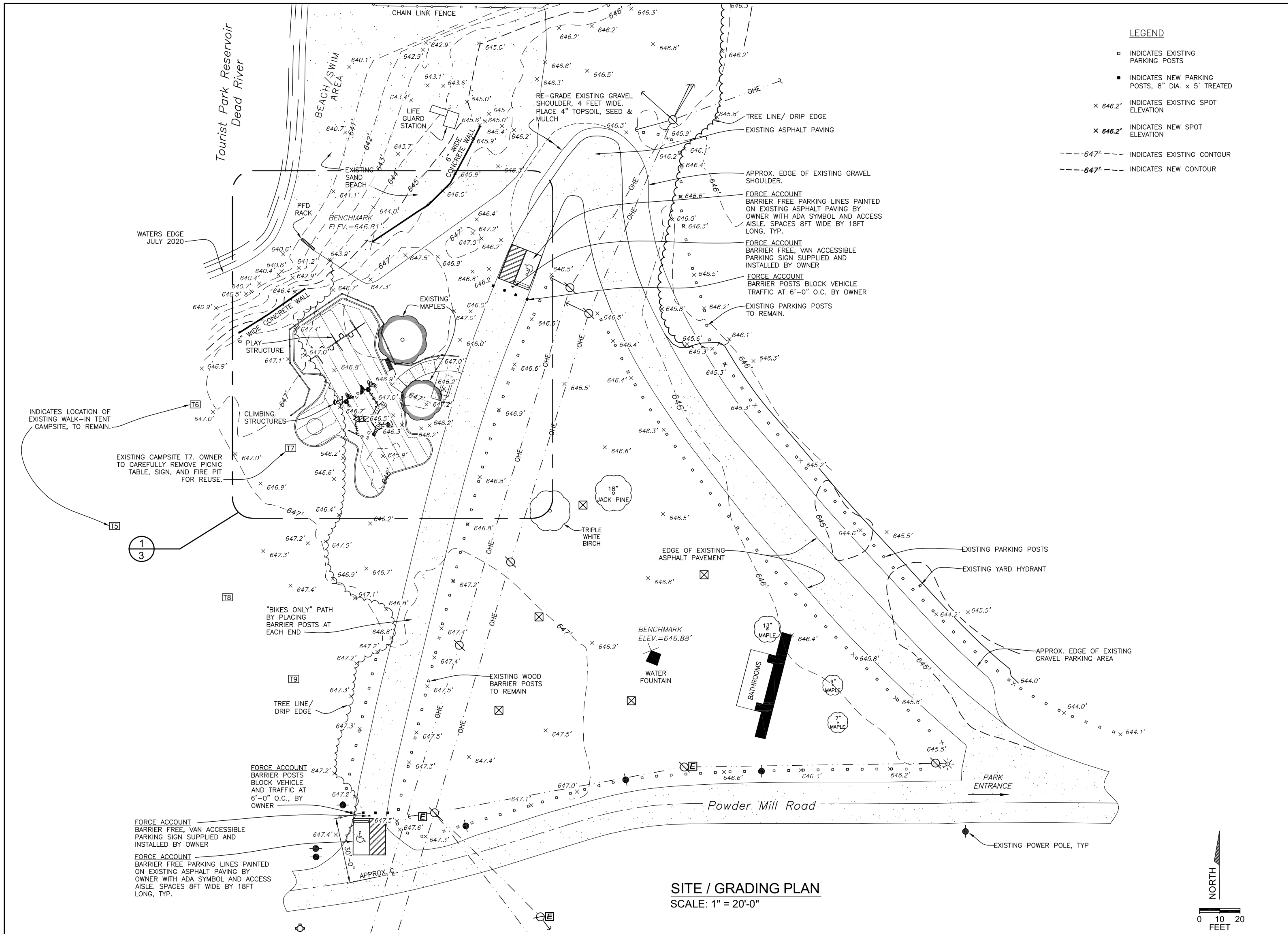
**SANDERS & CZAPSKI ASSOCIATES, PLLC**  
 architecture / landscape architecture / historic preservation

109 South Front Street / Suite 210 / Marquette, Michigan  
 Phone: 906.273.1207 / Fax: 906.273.1208  
 www.Sanders-Czapski.com

**TOURIST PARK**  
**DAY USE PLAYGROUND**  
 MARQUETTE, MARQUETTE COUNTY, MICHIGAN

**RE-BID FEBRUARY 15, 2024**  
 Re-bid Rev. Nov. 6, 2023

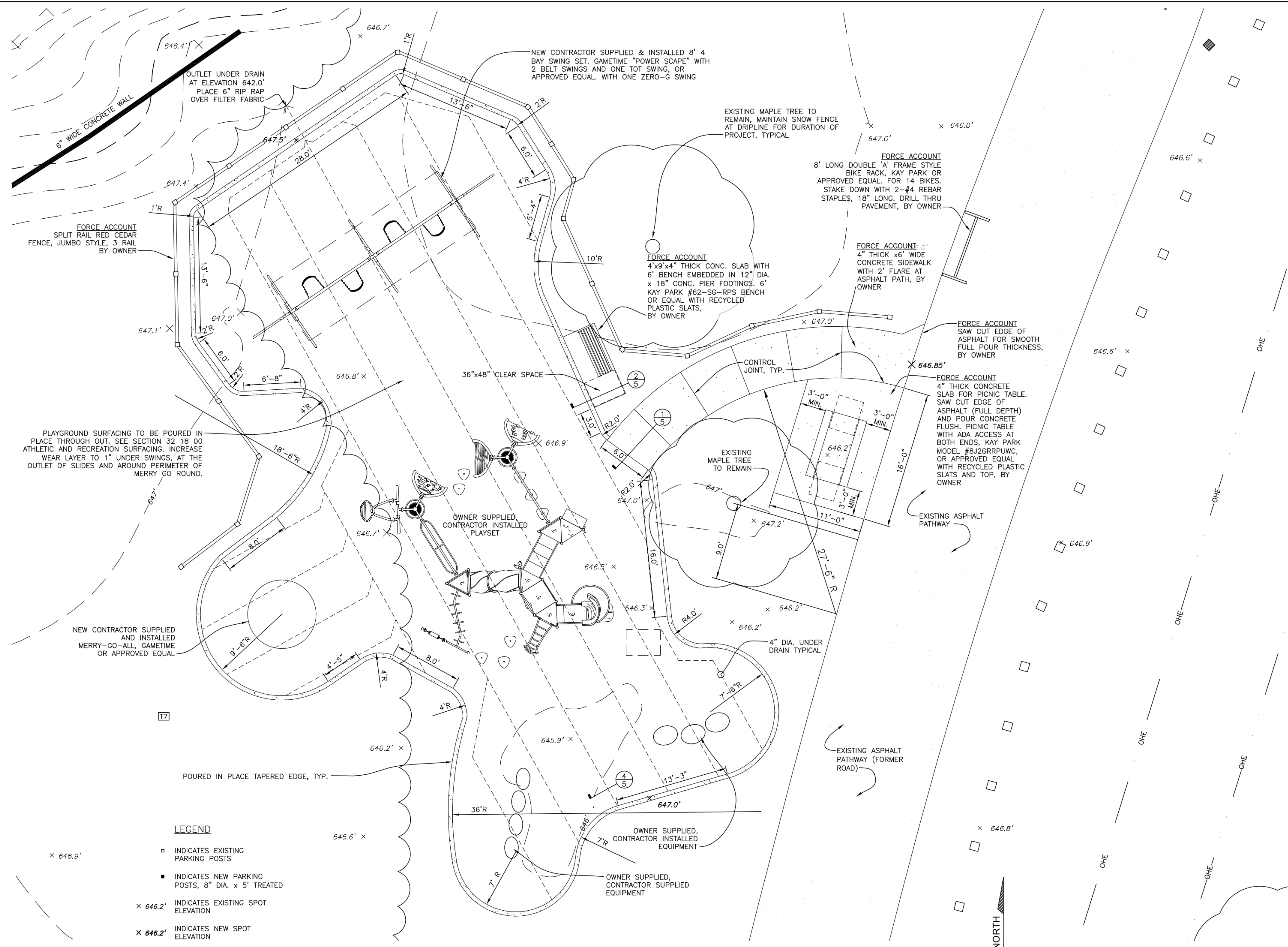
**ISSUE/DATE:**  
 1



**SANDERS & CZAPSKI ASSOCIATES, PLLC**  
 architecture / landscape architecture / historic preservation  
 109 South Front Street / Suite 210 / Marquette, Michigan  
 Phone: 906.273.1207 / Fax: 906.273.1208  
 www.Sanders-Czapski.com

**TOURIST PARK**  
**DAY USE PLAYGROUND**  
 MARQUETTE, MARQUETTE COUNTY, MICHIGAN

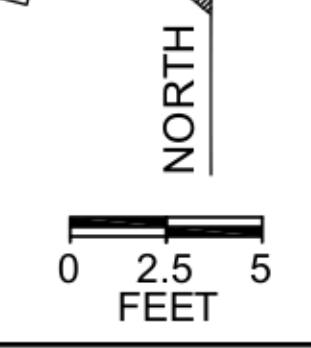
RE-BID	FEBRUARY 15, 2024
Re-bid Rev.	Nov. 6, 2023
ISSUE/DATE	
	2



**LEGEND**

- INDICATES EXISTING PARKING POSTS
- INDICATES NEW PARKING POSTS, 8" DIA. x 5' TREATED
- x 646.2' INDICATES EXISTING SPOT ELEVATION
- x 646.2' INDICATES NEW SPOT ELEVATION
- - - 647' - - - INDICATES EXISTING CONTOUR
- - - 647' - - - INDICATES NEW CONTOUR

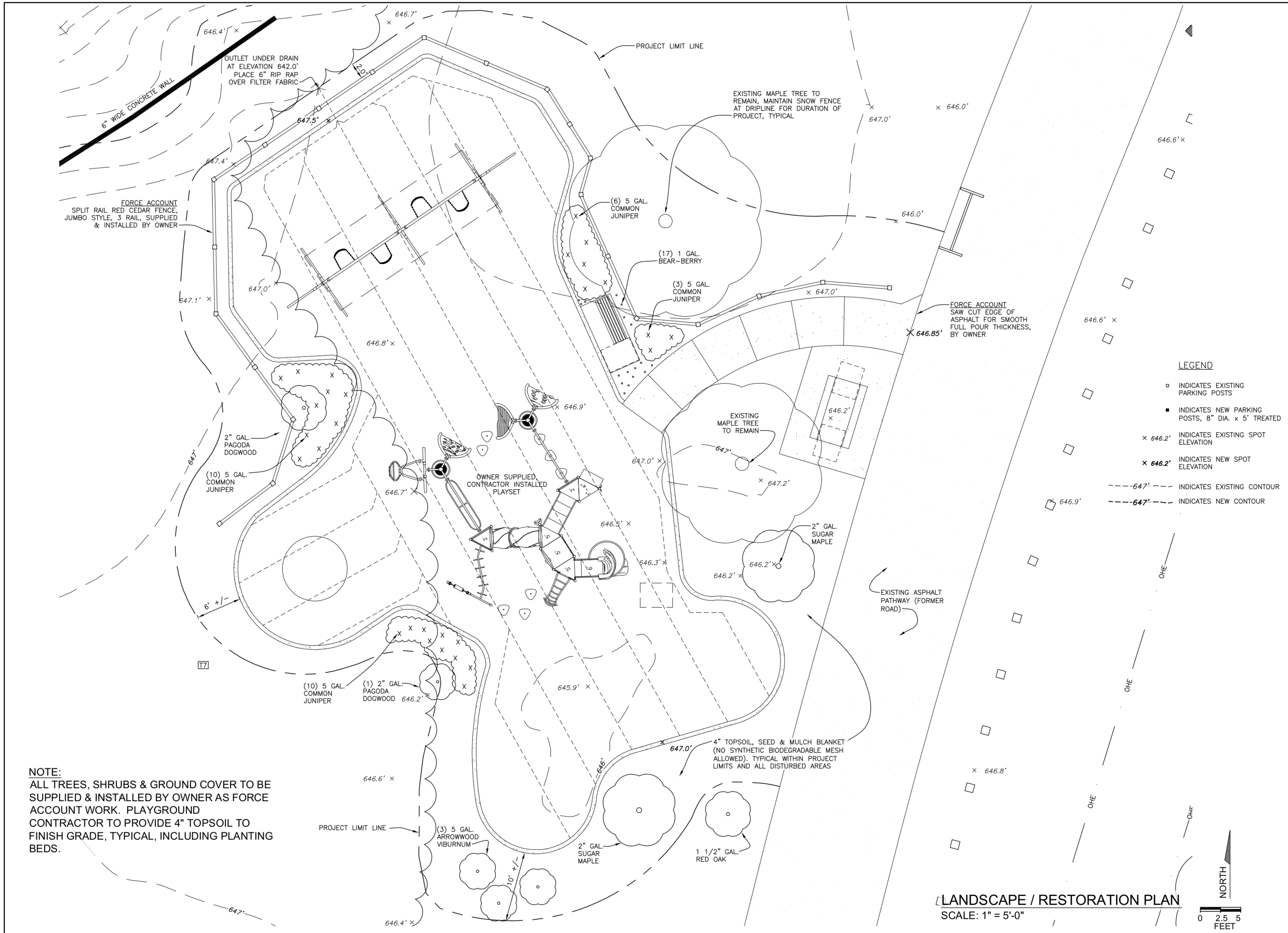
**1 ENLARGED PLAYGROUND PLAN**  
**3 SCALE: 1" = 5'-0"**



**SANDERS & CZAPSKI ASSOCIATES, PLLC**  
 architecture / landscape architecture / historic preservation  
 109 South Front Street / Suite 210 / Marquette, Michigan  
 Phone: 906.273.1207 / Fax: 906.273.1208  
 www.Sanders-Czapski.com

**TOURIST PARK**  
**DAY USE PLAYGROUND**  
 MARQUETTE, MARQUETTE COUNTY, MICHIGAN

RE-BID	FEBRUARY 15, 2024
Re-bid Rev.	Nov. 6, 2023
ISSUE/DATE	
	3



**NOTE:**  
 ALL TREES, SHRUBS & GROUND COVER TO BE SUPPLIED & INSTALLED BY OWNER AS FORCE ACCOUNT WORK. PLAYGROUND CONTRACTOR TO PROVIDE 4" TOPSOIL TO FINISH GRADE, TYPICAL, INCLUDING PLANTING BEDS.

- LEGEND**
- ◻ INDICATES EXISTING PARKING POSTS
  - INDICATES NEW PARKING POSTS, 8" DIA. x 5' TREATED
  - x 646.2' INDICATES EXISTING SPOT ELEVATION
  - x 646.2' INDICATES NEW SPOT ELEVATION
  - - - 647' - - - INDICATES EXISTING CONTOUR
  - - - 647' - - - INDICATES NEW CONTOUR

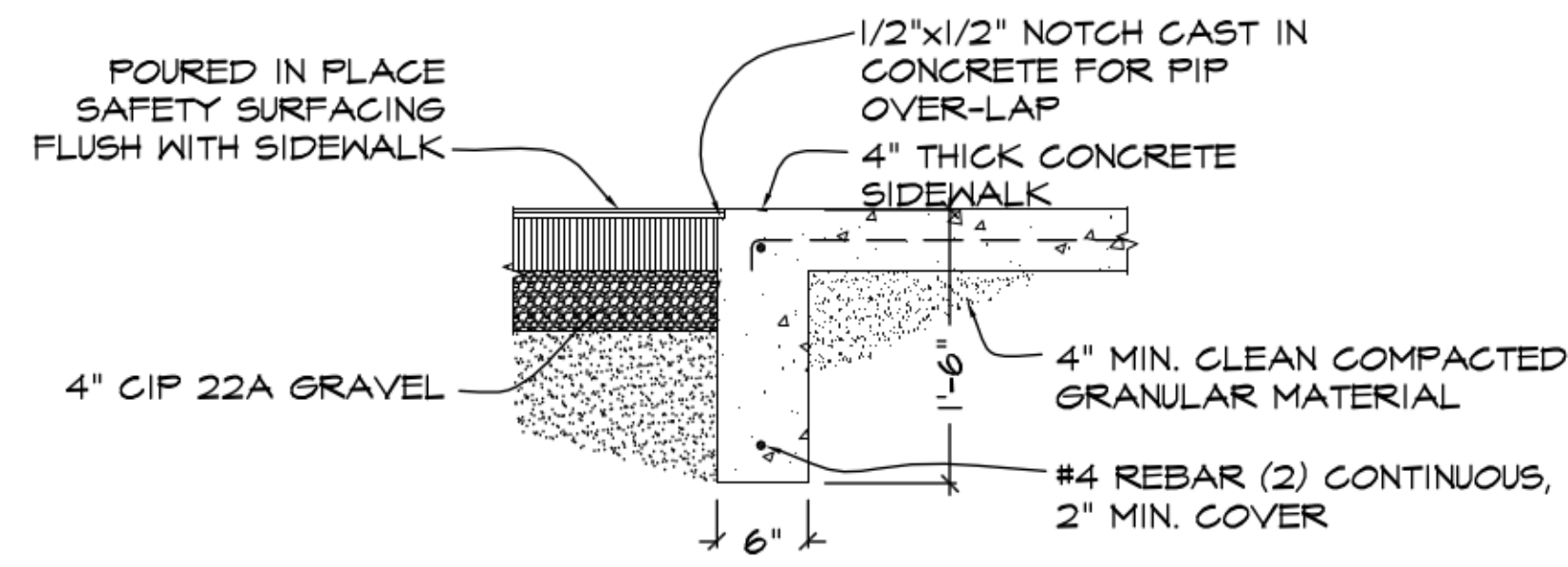
**LANDSCAPE / RESTORATION PLAN**  
 SCALE: 1" = 5'-0"



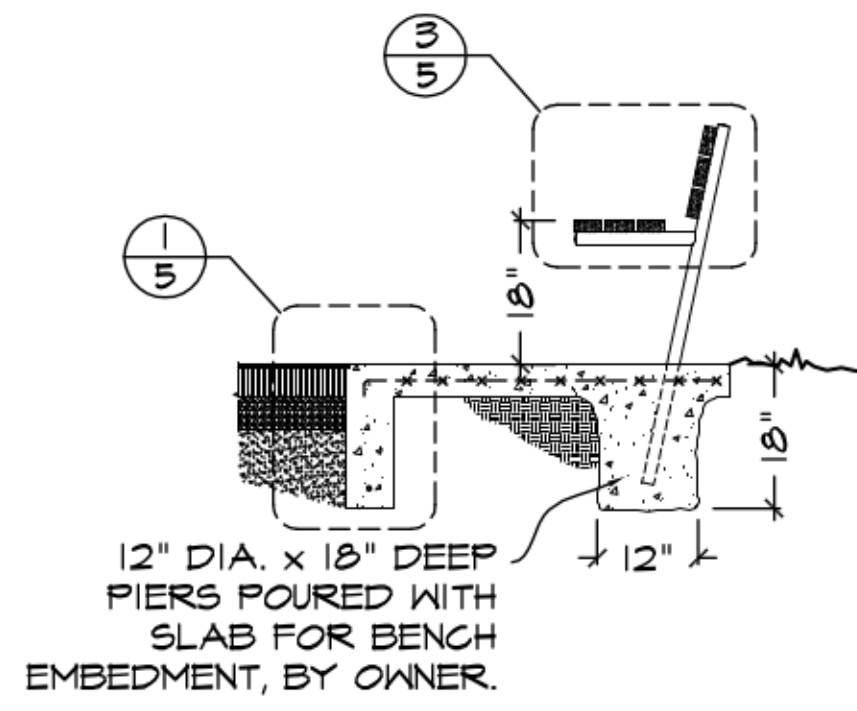
**SANDERS & CZAPSKI ASSOCIATES, PLLC**  
 architecture / landscape architecture / historic preservation  
 109 South Front Street / Suite 210 / Marquette, Michigan  
 Phone: 906.273.1207 / Fax: 906.273.1208  
 www.Sanders-Czapski.com

**TOURIST PARK**  
**DAY USE PLAYGROUND**  
 MARQUETTE, MARQUETTE COUNTY, MICHIGAN

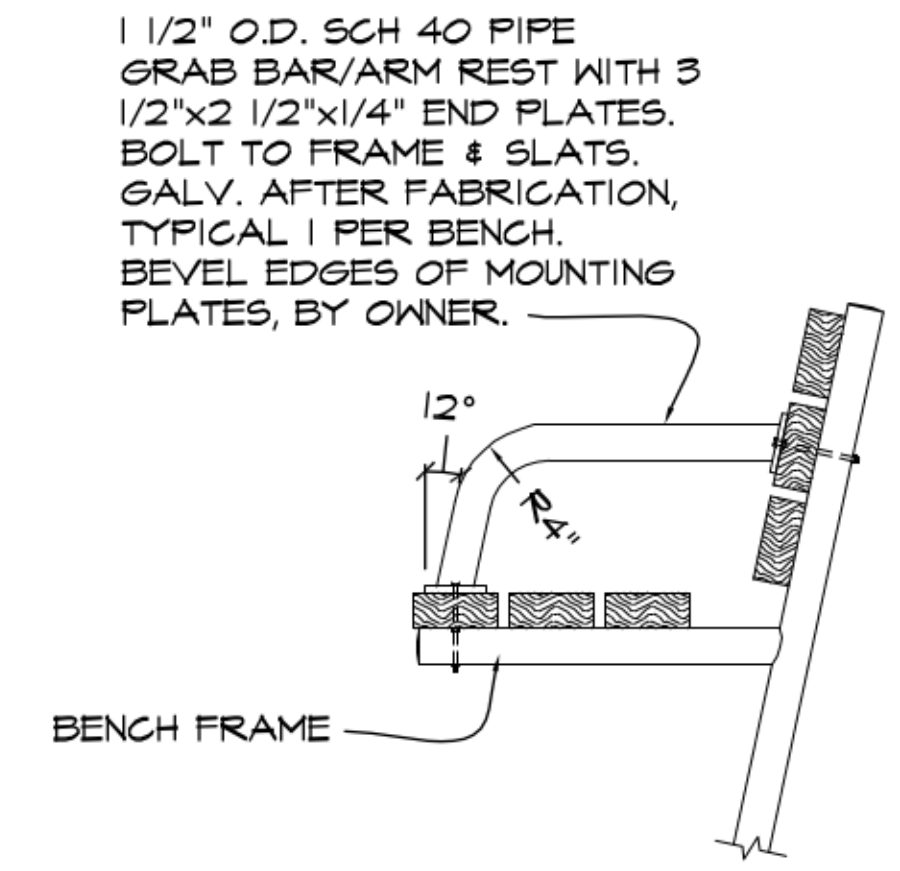
RE-BID FEBRUARY 15, 2024  
 Re-bid Rev. Nov. 6, 2023  
 ISSUE/DATE  
**4**



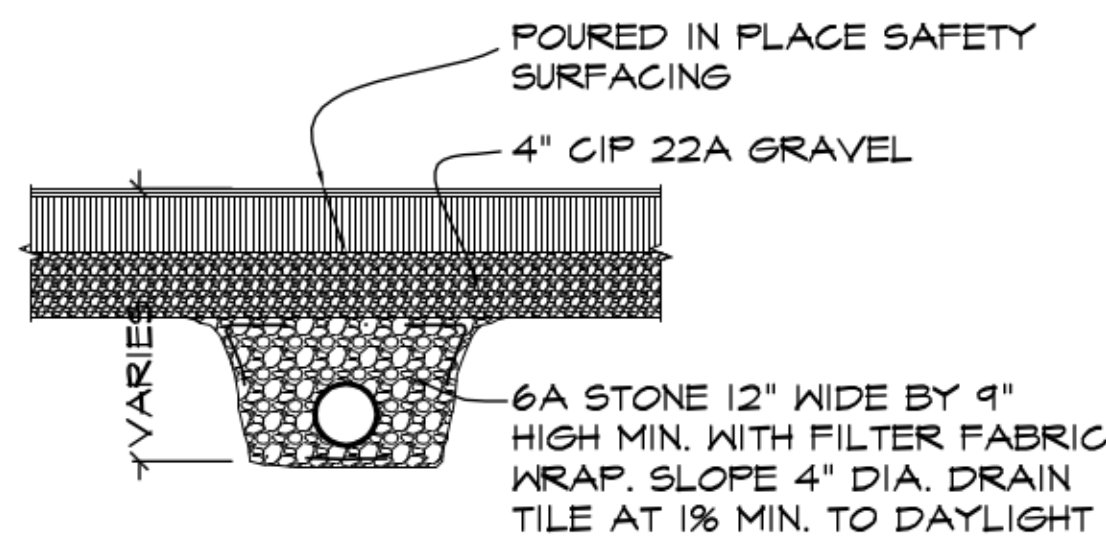
1  
3 **SIDEWALK / PIP DETAIL**  
SCALE: 1" = 1'-0"



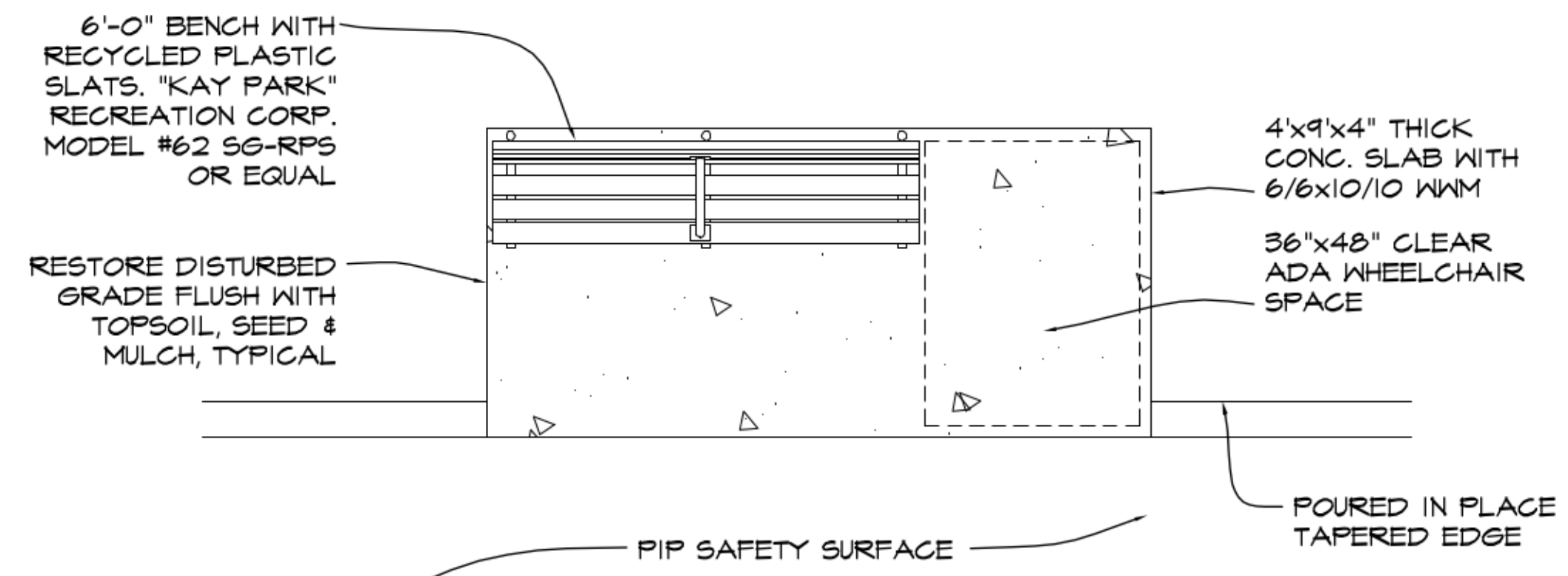
2  
3 **SECTION THRU BENCH**  
SCALE: 1/2" = 1'-0"



3  
5 **DETAIL OF FABRICATED RAIL**  
SCALE: 1 1/2" = 1'-0"



4  
3 **TYPICAL DETAIL - UNDER DRAIN**  
SCALE: 1" = 1'-0"



**ENLARGED PLAN - BENCH**  
SCALE: 1/2" = 1'-0"